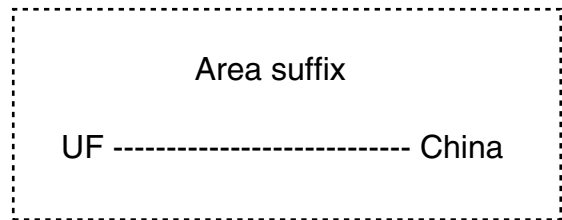


PARTS LIST

[FS-SD998V]
[FS-SD778V]
[FS-SD558V]

* All printed circuit boards and its assemblies are not available as service parts.



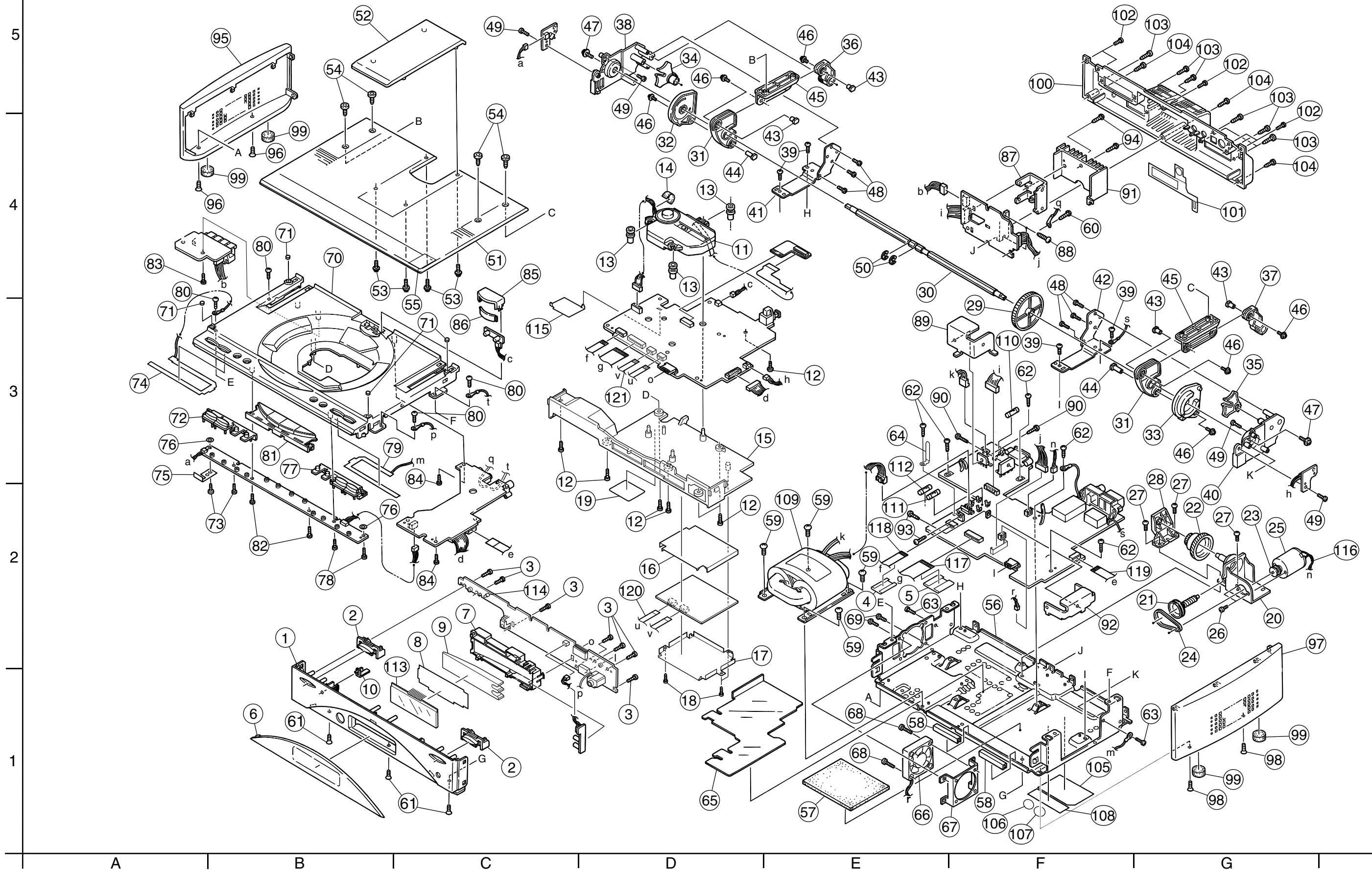
- Contents -

Exploded view of general assembly and parts list (Block No.M1)	3- 3
Electrical parts list (Block No.01~03)	3- 6
Packing materials and accessories parts list (Block No.M3,M5)	3-15

< MEMO >

Exploded view of general assembly and parts list

Block No. **M 1 M M**



FS-SD998V/FS-SD778V
FS-SD558V

■ Parts list (General assembly)

Block No. M1MM

△	Item	Parts number	Parts name	Q'ty	Description	Area
	1	LV10325-003A	FRONT PANEL	1	FS-SD998V	
		LV10325-001A	FRONT PANEL	1	FS-SD778V/SD558V	
	2	LV31677-001A	PUSH BUTTON 1	2	ABS/PLATING	
	3	QYSDSF2608Z	SCREW	7	FRONT+SW PWB+BT	
	4	LV30064-064A	SPACER	1		
	5	LV30064-080A	SPACER	1		
	6	GN30001-007A	LENS	1	FS-SD998V	
		GN30001-005A	LENS	1	FS-SD558V	
		GN30001-006A	LENS	1	FS-SD778V	
	7	LV31679-001A	LCD CASE	1	ABS	
	8	LV41519-001A	SHEET	1	LCD FILTER	
	9	LV31680-001A	REFLECTOR	1	PMMA/MILKY	
	10	LV41520-001A	INDICATOR	1	STANDBY LED	
	11	KSM-900AAH	CD MECHA	1	CD MECHA	
	12	QYSDSF2608Z	SCREW	7	CD CHASSIS+TOP	
	13	LV40770-002A	INSULATOR	3		
	14	LV30064-008A	SPACER	1		
	15	LV10606-001A	VCD CHASSIS	1	MIPS	
	16	LV33084-002A	VCD SHIELD (U)	1	SPT T0.5	
	17	LV33085-001A	VCD SHIELD (L)	1	SPT T0.5	
	18	QYSDSF2608Z	SCREW	3	VCD+CHASSIS	
	19	E406507-001	LASER CAUTION	1		
	20	LV31687-001A	MOTOR BASE	1	ABS	
	21	LV41522-002A	WORM GEAR	1	NOISE	
	22	LV41523-001A	WORM WHEEL	1	POM	
	23	LV41536-001A	PULLEY	1	POM	
	24	LV41598-001A	BELT	1		
	25	QAR0100-001	DC MOTOR	1		
	26	QYSPSP3004Z	SCREW	2	DC MOTOR+M.BASE	
	27	QYSBST3006Z	T.SCREW	3	MOTER.B+BOTTOM.	
	28	LV31688-001A	WHEEL STOPPER	1	ABS	
	29	LV41524-001A	MAIN GEAR	1	POM	
	30	LV31689-002A	SHAFT 1	1	COST DOWN	
	31	LV31690-002A	ARM	2	FS-SD998V	
		LV31690-001A	ARM	2	FS-SD778V/SD558V	
	32	LV31691-001A	G.WHEEL(L)	1	POM	
	33	LV31692-001A	G.WHEEL(R)	1	POM	
	34	LV31693-001A	G.GEAR(L)	1	PBT	
	35	LV31694-001A	G.GEAR(R)	1	PBT	
	36	LV31695-002A	ARM GEAR(L)	1	FS-SD998V	
		LV31695-001A	ARM GEAR(L)	1	FS-SD778V/SD558V	
	37	LV31696-001A	ARM GEAR(R)	1	FS-SD778V/SD558V	
		LV31696-002A	ARM GEAR(R)	1	FS-SD998V	
	38	LV31697-002A	GEAR BASE(L)	1	PBT	
	39	QYSBST3006Z	T.SCREW	4	GEAR.B+BOTTOM	
	40	LV31698-002A	GEAR BASE(R)	1	PBT	
	41	LV32127-001A	GEAR BKT(L)	1	EGC T1	
	42	LV32128-001A	GEAR BKT(R)	1	EGC T1	

FS-SD998V/FS-SD778V
FS-SD558V

■ Parts list (General assembly)

Block No. M1MM

△	Item	Parts number	Parts name	Q'ty	Description	Area
	43	LV41929-001A	SHAFT 4	4	FS-SD778V/SD558V	
		LV41929-002A	SHAFT 4	4	FS-SD998V	
	44	LV41930-002A	SHAFT 5	2	FS-SD998V	
		LV41930-001A	SHAFT 5	2	FS-SD778V/SD558V	
	45	LV31701-002A	DOOR BASE	2	FS-SD998V	
		LV31701-001A	DOOR BASE	2	FS-SD778V/SD558V	
	46	QYSPSPG2605N	SCREW	6	DOOR BASE+ARM	
	47	QYSPSPG3006Z	SCREW	2	SAFT 1+G.BASE	
	48	QYSDSF2606Z	SCREW	6	G.BKT+G.BASE	
	49	QYSDSF2606Z	SCREW	4	SW.PWB+G.BASE	
	50	QYREE6000X	E RING	2		
	51	LV10328-003A	CD DOOR	1	FS-SD778V/SD558V	
		LV10328-004A	CD DOOR	1	FS-SD998V	
	52	LV31702-023A	DOOR COVER	1	FS-SD998V	
		LV31702-021A	DOOR COVER	1	FS-SD558V	
		LV31702-022A	DOOR COVER	1	FS-SD778V	
	53	LV41758-001A	CUSTOM SCREW	4	D.C.BKT+D.COVER	
	54	LV41587-001A	SPECIAL SCREW	4	CD DOOR+D.BASE	
	55	LV41819-002A	CD CAUTION	1		
	56	LV10329-001A	BOTTOM CHASSIS	1	EGC T1.0	
	57	LV30064-068A	SPACER	1	BOTTOM	
	58	LV30064-075A	SPACER	2	BOTTOM	
	59	QYSBST4006Z	T.SCREW	4	BOTTOM.C+TRANS	
	60	QYSBST3006Z	T.SCREW	1	BOTTOM.C+AMP PWB	
	61	QYSSST3006Z	SCREW	3	BOTTOM+FRONT.PANEL	
	62	QYSBST3006Z	T.SCREW	5	BOTTOM+MAIN PWB	
	63	QYSDSF2606Z	SCREW	2	BOTTOM+G.BASE	
	64	VKZ4001-110	WIRE HOLDER	1		
	65	LV31901-002A	BURRER	1	BETW.AC&BTM	
	66	QAR0222-001	FAN MOTOR	1		
	67	LV41799-001A	FAN BRACKET	1		
	68	QYSBSG3014Z	T.SCREW	2	FAN+F.BKT	
	69	QYSBST3006Z	T.SCREW	2	F.BKT+BOTTOM	
	70	LV10440-209A	TOP PANEL	1	FS-SD998V	
		LV10440-208A	TOP PANEL	1	FS-SD778V/SD558V	
	71	LV41821-001A	FELT	4	FS-SD778V/SD558V	
		LV41821-002A	FELT	4	FS-SD998V	
	72	LV31681-003A	PUSH BUTTON 3	1	ABS/PLATING	
	73	QYSDSF2608Z	SCREW	2	P.BTN3+PWB+TOP	
	74	LV41826-001A	SHIELD(A)	1		
	75	LV41828-002A	PROTECTOR	1	FOR TOP	
	76	LV30226-015A	SPACER	2		
	77	LV31682-003A	PUSH BUTTON 2	1	ABS/PLATINGR	
	78	QYSDSF2608Z	SCREW	2	P.BTN2+PWB+TOP	
	79	LV41827-001A	SHIELD(R)	1		
	80	QYSBST3006Z	T.SCREW	4	BOTTOM.C+TOP	
	81	GN30008-003A	FUNC BTN ASSY	1	FS-SD778V/SD558V	
		GN30008-004A	FUNC BTN ASSY	1	FS-SD998V	

■ Parts list (General assembly)

Block No. M1MM

△	Item	Parts number	Parts name	Q'ty	Description	Area
	82	QYSDSF2608Z	SCREW	2	FUNC.B+PWB+TOP	
	83	QYSDSF2608Z	SCREW	1	SPK.PWB+TOP	
	84	QYSDSF2606Z	SCREW	2	JACK PWB+TOP	
	85	LV31686-002A	LED BOX	1	FS-SD998V	
		LV31686-001A	LED BOX	1	FS-SD778V/SD558V	
	86	LV41521-001A	LED COVER	1	ABS	
	87	LV31704-001A	IC HOLDER	1	IC301	
	88	QYSBSF3010Z	SCREW	2	IC+IC HOLDER	
	89	LV31849-001A	HEAT SINK2	1	D1901 D1902	
	90	QYSBSF3010Z	SCREW	2	DIODE+H.SINK2	
	91	LV31705-002A	HEAT SINK	1	AL	
	92	LV31850-001A	HEAT SINK3	1	Q1901 Q1908	
	93	QYSBSF3010Z	SCREW	2	TR+H.SINK3	
	94	QYSBSF3008Z	SCREW	2	IC HOLDER+H.SINK	
	95	LV10330-001A	SIDE PANEL(L)	1	FS-SD558V	
		LV10330-004A	SIDE PANEL(L)	1	FS-SD778V	
		LV10330-003A	SIDE PANEL(L)	1	FS-SD998V	
	96	QYSSST3006Z	SCREW	2	S.PANEL+BOTTOM	
	97	LV10331-004A	SIDE PANEL(R)	1	FS-SD778V	
		LV10331-001A	SIDE PANEL(R)	1	FS-SD558V	
		LV10331-003A	SIDE PANEL(R)	1	FS-SD998V	
	98	QYSSST3006Z	SCREW	2	S.PANEL+BOTTOM	
	99	LV41832-001A	FOOT	4	SIDE PANEL	
	100	LV10332-220A	REAR PANEL	1	FS-SD998V	
		LV10332-218A	REAR PANEL	1	FS-SD778V/SD558V	
	101	LV32251-001A	EARTH PLATE	1	SPTE T0.2	
	102	QYSDSF2608N	SCREW	5	REAR+TOP	
	103	QYSDSG3008N	T.SCREW	7	REAR+JACK	
	104	QYSDSG3008N	T.SCREW	3	REAR+BOTTOM	
△	105	LV33099-002A	RATING LABEL	1	FS-SD778V	
△		LV33100-002A	RATING LABEL	1	FS-SD998V	
△		LV33098-002A	RATING LABEL	1	FS-SD558V	
	106	LV41768-001A	CCIB LABEL	1		
	107	E409372-001A	CCEE LABEL	1		
	108	LV41772-001A	CAUTION LABEL	1	REAR PANEL	
△	109	QQT0286-006	POWER TRANSF	1	T1901	
△	110	QMF51E2-R50-J1	FUSE	1	F1901	
△	111	QMF51E2-6R3-J1	FUSE	1	F1902	
△	112	QMF51E2-3R15-J1	FUSE	1	F1903	
	113	QLD0120-001	LCD	1	DI801	
	114	LV40859-001A	SPACER	1	FOR D8001	
	115	LV41918-001A	HEAT PLATE	1		
	116	WJM0133-001A	E-SI C WIRE C-F	1	MOTOR WIRE	
	117	QUQ110-2105BJ	FFC WIRE	1	MAIN - MICOM	
	118	QUQB12-0905BJ	FFC WIRE	1	MAIN - MICOM	
	119	QUQB12-0806AJ	FFC WIRE	1	MAIN - FUNCTION	
	120	QUQ110-1505AJ	FFC WIRE	1	MICOM - MP3	
	121	QUQ110-1515BJ	FFC WIRE	1	MICOM - MP3	

■ Electrical parts list (Main board)

Block No. 01

△	Item	Parts number	Parts name	Remarks	Area
	C 1	NCB31HK-223X	C CAPACITOR		
	C 2	NCB31HK-102X	C CAPACITOR		
	C 3	NCB31CK-473X	C CAPACITOR		
	C 4	NCB31HK-103X	C CAPACITOR		
	C 5	QEK1CM-106Z	E CAPACITOR	10MF 20% 16V	
	C 6	NCB31HK-102X	C CAPACITOR		
	C 9	NCB31HK-102X	C CAPACITOR		
	C 12	NDC31HJ-100X	C CAPACITOR		
	C 13	NCB31CK-473X	C CAPACITOR		
	C 14	NCB31HK-103X	C CAPACITOR		
	C 21	NCB31CK-473X	C CAPACITOR		
	C 30	QEK1CM-476Z	E CAPACITOR	47MF 20% 16V	
	C 32	NCB31HK-102X	C CAPACITOR		
	C 33	QEK1AM-107Z	E CAPACITOR	100MF 20% 10V	
	C 34	NDC31HJ-150X	C CAPACITOR		
	C 35	NCB31HK-102X	C CAPACITOR		
	C 36	QEK1CM-106Z	E CAPACITOR	10MF 20% 16V	
	C 37	NCB31CK-473X	C CAPACITOR		
	C 39	NCB31CK-473X	C CAPACITOR		
	C 40	NCB31HK-103X	C CAPACITOR		
	C 41	QEK1HM-104Z	E CAPACITOR	.10MF 20% 50V	
	C 42	QEK1HM-474Z	E CAPACITOR	.47MF 20% 50V	
	C 44	NDC31HJ-221X	C CAPACITOR		
	C 45	QEK1HM-335Z	E CAPACITOR	3.3MF 20% 50V	
	C 46	NCB31HK-223X	C CAPACITOR		
	C 47	NCB31HK-103X	C CAPACITOR		
	C 49	NCB31EK-183X	C CAPACITOR		
	C 50	NCB31EK-183X	C CAPACITOR		
	C 51	QEK1HM-475Z	E CAPACITOR	4.7MF 20% 50V	
	C 52	QEK1HM-475Z	E CAPACITOR	4.7MF 20% 50V	
	C 60	QEK1AM-107Z	E CAPACITOR	100MF 20% 10V	
	C 61	NDC31HJ-120X	C CAPACITOR		
	C 62	NDC31HJ-120X	C CAPACITOR		
	C 63	NCB31CK-473X	C CAPACITOR		
	C 65	NCB31HK-102X	C CAPACITOR		
	C 66	NDC31HJ-151X	C CAPACITOR		
	C 67	NDC31HJ-101X	C CAPACITOR		
	C 68	NDC31HJ-101X	C CAPACITOR		
	C 69	QEK1HM-225Z	E CAPACITOR	2.2MF 20% 50V	
	C 70	NCB31HK-392X	C CAPACITOR		
	C 71	QEK1HM-335Z	E CAPACITOR	3.3MF 20% 50V	
	C 72	NCB31HK-102X	C CAPACITOR		
	C 91	NCB31HK-103X	C CAPACITOR		
	CF 1	QAX0419-001Z	C FILTER	FM IF	
	CF 2	QAX0419-001Z	C FILTER	FM IF	
	CF 3	QAX0418-001Z	C FILTER		
	CF 4	QAX0409-001	CERA LOCK		
	CN101	QGF1201F3-08	CONNECTOR	TO.FUNC.	
	CN102	QGA2501C1-06	6P CONNECTOR	TO.PO.	
	CN103	QGB1216J1-08S	CONNECTOR	TO.FRONT	
	CN104	QGF1201F3-09	CONNECTOR	TO.MICOM	
	CN105	QGF1016F3-21	CONNECTOR	TO.MICOM	
	CN106	QGA2501C1-02	2P CONNECTOR	TO.MOTOR	
	CN181	QGA2001C1-02	2P PLUG ASSY		
△	CN191	QGA7901C1-02	CONNECTOR	PRI.	
	CN192	QGA3901C1-04	CONNECTOR	SEC.	
△	CN193	QGA2501C1-07	7P CONNECTOR	TO.PO.	
	CN301	QGA2501F1-04	CONNECTOR	FROM SP.JACK	
	CN801	QGB1216K1-08S	CONNECTOR	TO AMP/TUNER	
	CN802	QGB1216K1-14S	CONNECTOR	TO MICON/CD	
	CN803	QGA2001C1-02	2P PLUG ASSY	TO BACK LIGHT	
	CP191	ICP-N20-T	ICP	VCD5V	
	C1102	QFVJ1HJ-224Z	MF CAPACITOR	FS-SD998V/SD778V	

△	Item	Parts number	Parts name	Remarks	Area
	C1102	QFVJ1HJ-154Z	MF CAPACITOR	FS-SD558V	
	C1103	QFN31HJ-823Z	M CAPACITOR	FS-SD558V	
	C1103	QFN31HJ-563Z	M CAPACITOR	FS-SD778V	
	C1103	QFVJ1HJ-563Z	MF CAPACITOR	FS-SD998V	
	C1104	QFVJ1HJ-563Z	MF CAPACITOR	FS-SD998V	
	C1104	QFN31HJ-563Z	M CAPACIROE	FS-SD778V	
	C1104	QFN31HJ-823Z	M CAPACITOR	FS-SD558V	
	C1105	QTE1C06-476Z	E CAPACITOR		
	C1106	QTE1C06-226Z	E CAPACITOR		
	C1107	QETN1HM-475Z	E CAPACITOR	4.7MF 20% 50V	
	C1108	NDC31HJ-151X	C CAPACITOR		
	C1109	NCB31HK-562X	C CAPACITOR		
	C1110	NCB31HK-102X	C CAPACITOR		
	C1111	NCB31HK-182X	C CAPACITOR		
	C1202	QFVJ1HJ-224Z	MF CAPACITOR	FS-SD998V/SD778V	
	C1202	QFVJ1HJ-154Z	MF CAPACITOR	FS-SD558V	
	C1203	QFN31HJ-823Z	M CAPACITOR	FS-SD558V	
	C1203	QFN31HJ-563Z	M CAPACIROE	FS-SD778V	
	C1203	QFVJ1HJ-563Z	MF CAPACITOR	FS-SD998V	
	C1204	QFVJ1HJ-563Z	MF CAPACITOR	FS-SD998V	
	C1204	QFN31HJ-563Z	M CAPACIROE	FS-SD778V	
	C1204	QFN31HJ-823Z	M CAPACITOR	FS-SD558V	
	C1205	QTE1C06-476Z	E CAPACITOR		
	C1206	QTE1C06-226Z	E CAPACITOR		
	C1207	QETN1HM-475Z	E CAPACITOR	4.7MF 20% 50V	
	C1208	NDC31HJ-151X	C CAPACITOR		
	C1209	NCB31HK-562X	C CAPACITOR		
	C1210	NCB31HK-102X	C CAPACITOR		
	C1211	NCB31HK-182X	C CAPACITOR		
	C1301	QETN1CM-106Z	E CAPACITOR	10MF 20% 16V	
	C1302	QER61CM-476Z	E CAPACITOR	47MF 20% 16V	
	C1303	QTE1C06-226Z	E CAPACITOR		
	C1304	QEK1HM-105Z	E CAPACITOR	1.0MF 20% 50V	
	C1305	QETN1EM-107Z	E CAPACITOR	100MF 20% 25V	
	C1306	QETN1CM-476Z	E CAPACITOR	47MF 20% 16V	
	C1307	QETN1CM-106Z	E CAPACITOR	10MF 20% 16V	
	C1308	QETN1CM-106Z	E CAPACITOR	10MF 20% 16V	
	C1801	QETN1EM-106Z	E CAPACITOR	10MF 20% 25V	
	C1802	QETN1EM-107Z	E CAPACITOR	100MF 20% 25V	
	C1803	NCB31HK-102X	C CAPACITOR		
△	C1901	QFVF1HJ-104Z	MF CAPACITOR	.10MF 5% 50V	
△	C1902	QFVF1HJ-104Z	MF CAPACITOR	.10MF 5% 50V	
△	C1903	QFVF1HJ-104Z	MF CAPACITOR	.10MF 5% 50V	
△	C1904	QFVF1HJ-104Z	MF CAPACITOR	.10MF 5% 50V	
△	C1905	QFVF1HJ-104Z	MF CAPACITOR	.10MF 5% 50V	
△	C1906	QFVF1HJ-104Z	MF CAPACITOR	.10MF 5% 50V	
△	C1907	QFVF1HJ-104Z	MF CAPACITOR	.10MF 5% 50V	
△	C1908	QFVF1HJ-104Z	MF CAPACITOR	.10MF 5% 50V	
△	C1910	QETM1EM-828	E CAPACITOR	8200MF 20% 25V	
△	C1911	QETM1EM-688	E CAPACITOR	6800MF 20% 25V	
	C1912	NDC31HJ-221X	C CAPACITOR		
	C1913	NCB31HK-103X	C CAPACITOR		
	C1914	QETN1EM-476Z	E CAPACITOR	47MF 20% 25V	
	C1915	QEK1CM-107Z	E CAPACITOR	100MF 20% 16V	
	C1916	NDC31HJ-221X	C CAPACITOR		
	C1917	NCB31HK-103X	C CAPACITOR		
	C1918	QTE1E06-476Z	E CAPACITOR		
	C1919	QETN1CM-106Z	E CAPACITOR	10MF 20% 16V	
	C1920	QETN1EM-226Z	E CAPACITOR	22MF 20% 25V	
	C1921	QFVJ1HJ-104Z	MF CAPACITOR	.10MF 5% 50V	
	C1922	QETN1EM-106Z	E CAPACITOR	10MF 20% 25V	
	C1923	QEK1HM-475Z	E CAPACITOR	4.7MF 20% 50V	
	C1924	QEK1CM-107Z	E CAPACITOR	100MF 20% 16V	

■ Electrical parts list (Main board)

Block No. 01

△	Item	Parts number	Parts name	Remarks	Area	△	Item	Parts number	Parts name	Remarks	Area
	C1925	QFZ0160-223Z	PP CAPACITOR	FS-SD998V			D1910	6A10E2	SI DIODE	LV	
	C1925	QFN31HJ-103Z	MM CAPACITOR	FS-SD778V/SD558V			D1911	MTZJ6.8A-T2	ZENER DIODE	BL8	
△	C1926	QCBB1HK-103Y	C CAPACITOR	.010MF 10% 50V		△	D1912	MTZJ10A-T2	ZENER DIODE	BL8	
△	C1927	QCBB1HK-103Y	C CAPACITOR	.010MF 10% 50V		△	D1913	MTZJ6.8B-T2	ZENER DIODE	US5V	
	C1928	QCBB1HK-103Y	C CAPACITOR	.010MF 10% 50V			D1914	MTZJ3.9B-T2	ZENER DIODE	TU5	
	C1929	NCB31HK-103X	C CAPACITOR				D1915	1SS133-T2	SI DIODE	TU5	
	C1930	NDC31HJ-151X	C CAPACITOR				D1916	1SS133-T2	SI DIODE	TU5	
	C1931	QEKC1CM-227Z	E CAPACITOR	220MF 20% 16V			D1917	1SS133-T2	SI DIODE	RY	
	C1932	QEKC1CM-106Z	E CAPACITOR	10MF 20% 16V			D1918	1SS133-T2	SI DIODE	VCD5V	
	C1933	QEKC1EM-476Z	E CAPACITOR	47MF 20% 25V			D1919	MTZJ5.6C-T2	ZENER DIODE	VCD5V	
	C3101	QTE1V06-106Z	E CAPACITOR			△	D1921	MTZJ6.8A-T2	ZENER DIODE	VCD5V	
	C3102	QDGB1HK-681Y	C CAPACITOR	FS-SD998V/SD778V			D1923	RB160L-40-X	SB DIODE	VCD5V	
	C3102	QDGB1HK-821Y	C CAPACITOR	FS-SD558V			D3302	1SS133-T2	SI DIODE	AHB NF	
	C3103	QCBB1HK-104Y	C CAPACITOR	.10MF 10% 50V			D3303	1SS133-T2	SI DIODE	AHB NF	
	C3104	QCBB1HK-104Y	C CAPACITOR	.10MF 10% 50V			D8001	SPR-39MVWF	LED	POWER/STANDBY	
	C3105	QFN31HJ-332Z	M CAPACITOR	3300PF 5% 50V			D8002	1SS133-T2	SI DIODE		
	C3201	QTE1V06-106Z	E CAPACITOR				D8003	1SS133-T2	SI DIODE		
	C3202	QDGB1HK-681Y	C CAPACITOR	FS-SD998V/SD778V			D8004	1SS133-T2	SI DIODE		
	C3202	QDGB1HK-821Y	C CAPACITOR	FS-SD558V			D8021	TLYH156P/ST/	LED	FS-SD998V	
	C3203	QCBB1HK-104Y	C CAPACITOR	.10MF 10% 50V			D8021	SELU1E50CM	LED	FS-SD778V/SD558V	
	C3204	QCBB1HK-104Y	C CAPACITOR	.10MF 10% 50V			D8022	SELU1E50CM	LED	FS-SD778V/SD558V	
	C3205	QFN31HJ-332Z	M CAPACITOR	3300PF 5% 50V			D8022	TLYH156P/ST/	LED	FS-SD998V	
	C3301	QETN1CM-106Z	E CAPACITOR	10MF 20% 16V			D8025	MTZJ10C-T2	ZENER DIODE	FS-SD778V/SD558V	
	C3302	NCS21HJ-152X	C CAPACITOR				D8031	TLYH156P/ST/	LED	FS-SD998V	
	C3303	QCBB1HK-104Y	C CAPACITOR	FS-SD998V			D8031	SELU1E56BM	LED	FS-SD778V/SD558V	
	C3303	QCBB1HK-103Y	C CAPACITOR	FS-SD778V/SD558V			D8032	SELU1E56BM	LED	FS-SD778V/SD558V	
△	C3304	QTE1H06-475Z	E CAPACITOR				D8032	TLYH156P/ST/	LED	FS-SD998V	
	C3306	QTE1E06-476Z	E CAPACITOR	FS-SD998V			D8035	MA3100/M-X	ZENER DIODE	FS-SD778V/SD558V	
	C3306	QTE1V28-107Z	AL E CAPACITOR	FS-SD778V/SD558V			EP131	QNZ0136-001Z	EARTH PLATE		
	C3308	QETN1CM-336Z	E CAPACITOR	33MF 20% 16V			IC 1	TA2057N	IC		
	C3309	QETN1HM-105Z	E CAPACITOR	1.0MF 20% 50V			IC 2	LC72136N	IC		
	C3310	QETN1HM-105Z	E CAPACITOR	1.0MF 20% 50V			IC101	NJM4580D-D	IC	AHB	
	C3311	QCBB1HK-473Y	C CAPACITOR	.047MF 10% 50V			IC102	BA15218F-XE	IC	HP	
	C3312	QCBB1HK-473Y	C CAPACITOR	.047MF 10% 50V			IC108	TA8409F-W	IC	M.DRIVE	
△	C3313	QETN1EM-227Z	E CAPACITOR	220MF 20% 25V		△	IC191	UPC78L05J-T	IC	US5	
	C8001	NCB31HK-103X	C CAPACITOR			△	IC301	LA4905	IC		
	C8002	QER61AM-107Z	E CAPACITOR	100MF 20% 10V			IC801	GP1U271X	IC		
	C8003	NCB31HK-223X	C CAPACITOR				J 1	QNB0014-001	ANT TERMINAL	AM/FM ANT COAX	
	C8004	NDC31HJ-101X	C CAPACITOR			△	J1901	QNC0030-001	AC INLET		
	C8005	NCB31HK-103X	C CAPACITOR				J3001	QNB0092-001	SPK TERMINAL		
	C8101	QETN1AM-107Z	E CAPACITOR	100MF 20% 10V			J8301	QNS0162-001	JACK	HP.JACK	
	C8102	NCB31HK-103X	C CAPACITOR				K1801	QQR0779-001Z	INDUCTOR		
	C8201	QETN1AM-107Z	E CAPACITOR	100MF 20% 10V			K8101	NQR0007-002X	FERRITE BEADS		
	C8202	NCB31HK-103X	C CAPACITOR				K8201	NQR0007-002X	FERRITE BEADS		
	D 1	1SS133-T2	SI DIODE				K8301	QQR0601-001Z	FERRITE BEADS		
	D 2	1SS133-T2	SI DIODE				K8302	NQR0007-002X	FERRITE BEADS		
	D 3	1SS133-T2	SI DIODE				K8303	NQR0007-002X	FERRITE BEADS		
	D 4	1SS133-T2	SI DIODE				L 1	QQR0796-001	COIL BLOCK	MW RF/OSC	
	D1301	1SS133-T2	SI DIODE	AHB		△	L 4	QQL231K-221Y	INDUCTOR		
	D1302	MTZJ5.1A-T2	ZENER DIODE	AHB			LF191	QQR1145-001	LINE FILTER		
	D1303	1SS133-T2	SI DIODE	AHB			LF311	QQR0797-002	INDUCTOR		
	D1304	1SS133-T2	SI DIODE	HP.MUTE			LF321	QQR0797-002	INDUCTOR		
	D1305	1SS133-T2	SI DIODE	S.MUTE			L1801	QQL25CK-221Z	INDUCTOR	M.DRIVER	
	D1801	DSK10C-T1	DIODE	M.DRIV			L1901	QQL28AK-101	CHOKE COIL	VCD5V	
△	D1901	D5SBA20-S1	SI DIODE	HV			L8101	QQL231K-470Y	INDUCTOR		
△	D1902	D3SBA20-S1	DIODE	LV			L8201	QQL231K-470Y	INDUCTOR		
	D1903	1SS133-T2	SI DIODE	SW10			PP101	QZW0038-001	WIRE CLAMP		
	D1904	MTZJ5.6C-T2	ZENER DIODE	SW10			PP102	QZW0038-001	WIRE CLAMP		
	D1905	MTZJ10A-T2	ZENER DIODE	SW10			Q 1	2SC2668/O-T	TRANSISTOR		
	D1906	MTZJ11A-T2	ZENER DIODE	L.FILE			Q 6	DTA114YKA-X	TRANSISTOR		
	D1907	1SS133-T2	SI DIODE	L.FILE			Q 7	2SA1037AK/R/-X	TRANSISTOR		
	D1908	1SS133-T2	SI DIODE	CD6.5			Q 8	2SA1037AK/R/-X	TRANSISTOR		
	D1909	MTZJ6.8B-T2	ZENER DIODE	CD6.5			Q1101	2SD2114K/VW-X	CHIP TRANSISTOR	AHB	

■ Electrical parts list (Main board)

Block No. 01

△	Item	Parts number	Parts name	Remarks	Area
	Q1102	2SC2412K/R/-X	TRANSISTOR	HP.MUTE	
	Q1201	2SD2114K/VW/-X	CHIP TRANSISTOR	AHB	
	Q1202	2SC2412K/R/-X	TRANSISTOR	HP.MUTE	
	Q1301	DTA123EKA-X	DIGI TRANSISTOR	S.MUTE.D	
	Q1302	DTA123EKA-X	DIGI TRANSISTOR	HP.MUTE.D	
	Q1801	DTC143EKA-X	DIGI TRANSISTOR	M.DRIV	
△	Q1901	2SA1359/OY/	TRANSISTOR	SW10	
△	Q1902	2SC2412K/R/-X	TRANSISTOR	SW10	
△	Q1903	2SC2412K/R/-X	TRANSISTOR	SW10	
△	Q1904	2SA1037AK/R/-X	TRANSISTOR	SW10	
	Q1905	DTA144TKA-X	TRANSISTOR	SW10	
	Q1906	DTC144TKA-X	TRANSISTOR	SW10	
	Q1907	2SD2144S/VW/-T	TRANSISTOR	L.FIL	
△	Q1908	2SA1359/OY/	TRANSISTOR	CD6.5	
	Q1909	2SC2412K/R/-X	TRANSISTOR	CD6.5	
△	Q1910	2SC2412K/R/-X	TRANSISTOR	CD6.5	
△	Q1912	2SA1175/FE/-T	TRANSISTOR	BL7	
	Q1913	2SC2412K/R/-X	TRANSISTOR	BL7	
△	Q1914	2SA1037AK/R/-X	TRANSISTOR	TU5	
	Q1915	2SC2412K/R/-X	TRANSISTOR	TU5	
△	Q1916	2SA934/OR/-T	TRANSISTOR	VCD5V	
△	Q1917	2SC2785/FE/-T	TRANSISTOR	VCD5V	
	Q1918	2SC2412K/R/-X	TRANSISTOR	VCD5V	
	Q1920	2SA1037AK/R/-X	TRANSISTOR	FAN CONTROL	
△	Q1921	DTC143EKA-X	DIGI TRANSISTOR	FAN CONTROL	
	Q1922	DTC143EKA-X	DIGI TRANSISTOR	FCD CONTROL	
	Q3101	2SD2114K/VW/-X	CHIP TRANSISTOR	S.MUTE	
	Q3201	2SD2114K/VW/-X	CHIP TRANSISTOR	S.MUTE	
	Q3301	DTA143TKA-X	TRANSISTOR	S.MUTE BUFF	
	Q8001	DTC114TKA-X	TRANSISTOR		
	Q8002	DTC114EKA-X	TRANSISTOR		
	Q8003	DTA114EKA-X	DIGI TRANSISTOR		
	Q8101	2SD2114K/VW/-X	CHIP TRANSISTOR		
	Q8201	2SD2114K/VW/-X	CHIP TRANSISTOR		
	R 1	NRSA63J-102X	MG RESISTOR		
	R 2	NRSA63J-820X	MG RESISTOR		
	R 12	NRSA63J-102X	MG RESISTOR		
	R 13	NRSA63J-104X	MG RESISTOR		
	R 20	NRSA63J-331X	MG RESISTOR		
	R 21	NRSA63J-224X	MG RESISTOR		
	R 22	NRSA63J-331X	MG RESISTOR		
	R 23	NRSA63J-270X	MG RESISTOR		
	R 24	NRSA63J-271X	MG RESISTOR		
	R 25	NRSA63J-473X	MG RESISTOR		
	R 27	NRSA63J-223X	MG RESISTOR		
	R 29	NRSA63J-473X	MG RESISTOR		
	R 30	NRSA63J-103X	MG RESISTOR		
	R 31	NRSA63J-103X	MG RESISTOR		
	R 32	NRSA63J-473X	MG RESISTOR		
	R 34	NRSA63J-333X	MG RESISTOR		
	R 35	NRSA63J-333X	MG RESISTOR		
	R 36	NRSA63J-103X	MG RESISTOR		
	R 37	NRSA63J-472X	MG RESISTOR		
	R 38	NRSA63J-392X	MG RESISTOR		
	R 39	NRSA63J-392X	MG RESISTOR		
	R 42	NRSA63J-102X	MG RESISTOR		
	R 43	NRSA63J-102X	MG RESISTOR		
	R 44	NRSA63J-102X	MG RESISTOR		
	R 45	NRSA63J-102X	MG RESISTOR		
	R 46	NRSA63J-473X	MG RESISTOR		
	R 48	NRSA63J-102X	MG RESISTOR		
	R 52	NRSA63J-472X	MG RESISTOR		
	R 54	NRSA63J-472X	MG RESISTOR		

△	Item	Parts number	Parts name	Remarks	Area
	R 55	NRSA63J-182X	MG RESISTOR		
	R 56	NRSA63J-332X	MG RESISTOR		
	R 57	NRSA63J-102X	MG RESISTOR		
	R 66	NRSA63J-222X	MG RESISTOR		
	R 68	NRSA63J-223X	MG RESISTOR		
	R 69	NRSA63J-222X	MG RESISTOR		
△	RY191	QSK0116-001	RELAY	VH	
	R1103	NRSA63J-103X	MG RESISTOR		
	R1104	NRSA63J-332X	MG RESISTOR		
	R1105	NRSA63J-272X	MG RESISTOR	FS-SD998V/SD778V	
	R1105	NRSA63J-392X	MG RESISTOR	FS-SD558V	
	R1106	NRSA63J-152X	MG RESISTOR	FS-SD558V	
	R1106	NRSA63J-392X	MG RESISTOR	FS-SD998V/SD778V	
	R1107	NRSA63J-153X	MG RESISTOR		
	R1108	NRSA63J-302X	MG RESISTOR	FS-SD558V	
	R1108	NRSA63J-432X	MG RESISTOR	FS-SD998V/SD778V	
	R1109	NRSA63J-153X	MG RESISTOR		
	R1110	NRSA63J-184X	MG RESISTOR	FS-SD558V	
	R1110	NRSA63J-224X	MG RESISTOR	FS-SD998V/SD778V	
	R1111	NRSA63J-103X	MG RESISTOR		
	R1112	NRSA63J-332X	MG RESISTOR		
	R1113	NRSA63J-563X	MG RESISTOR		
	R1114	NRSA63J-102X	MG RESISTOR		
	R1115	NRSA63J-471X	MG RESISTOR		
	R1116	NRSA63J-222X	MG RESISTOR		
	R1203	NRSA63J-103X	MG RESISTOR		
	R1204	NRSA63J-332X	MG RESISTOR		
	R1205	NRSA63J-392X	MG RESISTOR	FS-SD558V	
	R1205	NRSA63J-272X	MG RESISTOR	FS-SD998V/SD778V	
	R1206	NRSA63J-152X	MG RESISTOR	FS-SD558V	
	R1206	NRSA63J-392X	MG RESISTOR	FS-SD998V/SD778V	
	R1207	NRSA63J-153X	MG RESISTOR		
	R1208	NRSA63J-302X	MG RESISTOR	FS-SD558V	
	R1208	NRSA63J-432X	MG RESISTOR	FS-SD998V/SD778V	
	R1209	NRSA63J-153X	MG RESISTOR		
	R1210	NRSA63J-184X	MG RESISTOR	FS-SD558V	
	R1210	NRSA63J-224X	MG RESISTOR	FS-SD998V/SD778V	
	R1211	NRSA63J-103X	MG RESISTOR		
	R1212	NRSA63J-332X	MG RESISTOR		
	R1213	NRSA63J-563X	MG RESISTOR		
	R1214	NRSA63J-102X	MG RESISTOR		
	R1215	NRSA63J-471X	MG RESISTOR		
	R1216	NRSA63J-222X	MG RESISTOR		
	R1301	NRSA63J-513X	MG RESISTOR		
△	R1302	NRSA02J-471X	MG RESISTOR		
	R1303	NRSA63J-102X	MG RESISTOR		
	R1304	NRSA63J-154X	MG RESISTOR	FS-SD558V	
	R1304	NRSA63J-224X	MG RESISTOR	FS-SD998V/SD778V	
	R1305	NRSA63J-124X	MG RESISTOR		
	R1306	NRSA63J-513X	M.G.RESISTOR	FS-SD558V	
	R1306	NRSA63J-563X	MG RESISTOR	FS-SD998V/SD778V	
	R1307	NRSA63J-912X	MG RESISTOR		
	R1308	NRSA63J-103X	MG RESISTOR		
	R1309	NRSA02J-100X	MG RESISTOR		
	R1310	NRSA63J-102X	MG RESISTOR		
	R1311	NRSA63J-102X	MG RESISTOR		
△	R1312	NRSA02J-471X	MG RESISTOR		
△	R1313	NRSA02J-471X	MG RESISTOR		
△	R1801	NRSA63J-471X	MG RESISTOR		
	R1802	NRSA63J-153X	MG RESISTOR		
	R1803	NRSA63J-473X	MG RESISTOR		
	R1804	NRSA63J-100X	MG RESISTOR		
	R1805	NRSA63J-100X	MG RESISTOR		

■ Electrical parts list (Main board)

Block No. 01

△	Item	Parts number	Parts name	Remarks	Area
	R1806	NRSA63J-183X	MG RESISTOR		
△	R1807	NRSA63J-471X	MG RESISTOR		
	R1808	NRSA63J-471X	MG RESISTOR		
△	R1902	NRSA02J-1R0X	MG RESISTOR		
△	R1903	NRSA02J-1R0X	MG RESISTOR		
△	R1904	NRSA02J-1R0X	MG RESISTOR		
	R1905	NRSA63J-151X	MG RESISTOR		
	R1906	NRSA63J-102X	MG RESISTOR		
△	R1907	NRSA02J-122X	MG RESISTOR		
△	R1908	NRSA02J-122X	MG RESISTOR		
△	R1909	NRSA02J-122X	MG RESISTOR		
	R1910	NRSA63J-472X	MG RESISTOR		
	R1911	NRSA63J-471X	MG RESISTOR		
	R1912	NRSA63J-561X	MG RESISTOR		
	R1913	NRSA63J-272X	MG RESISTOR		
	R1914	NRSA63J-471X	MG RESISTOR		
	R1915	NRSA63J-822X	MG RESISTOR		
	R1916	NRSA63J-102X	MG RESISTOR		
	R1917	NRSA63J-122X	MG RESISTOR		
	R1918	NRSA63J-153X	MG RESISTOR		
	R1919	NRSA63J-512X	MG RESISTOR		
	R1920	NRSA63J-102X	MG RESISTOR		
△	R1921	QRZ9006-4R7X	F RESISTOR	4.7 1W	
△	R1922	QRZ9006-4R7X	F RESISTOR	4.7 1W	
△	R1923	QRZ9006-4R7X	F RESISTOR	4.7 1W	
	R1924	NRSA63J-222X	MG RESISTOR		
	R1925	NRSA02J-561X	MG RESISTOR		
	R1926	NRSA63J-123X	MG RESISTOR		
	R1927	NRSA63J-103X	MG RESISTOR		
	R1928	NRSA63J-122X	MG RESISTOR		
	R1929	NRSA63J-273X	MG RESISTOR		
	R1930	NRSA63J-102X	MG RESISTOR		
△	R1931	NRSA02J-390X	MG RESISTOR		
△	R1932	NRSA02J-331X	MG RESISTOR		
	R1933	NRSA63J-681X	MG RESISTOR		
	R1934	NRSA63J-152X	MG RESISTOR		
	R1935	NRSA63J-272X	MG RESISTOR		
	R1936	NRSA63J-151X	MG RESISTOR		
	R1937	NRSA63J-562X	MG RESISTOR		
△	R1938	NRSA02J-122X	MG RESISTOR		
	R1939	NRSA63J-223X	MG RESISTOR		
△	R1940	QRZ9015-101X	F RESISTOR	100 1W	
	R1941	NRSA63J-123X	MG RESISTOR		
	R1944	NRSA63J-562X	MG RESISTOR		
	R1945	NRSA63J-222X	MG RESISTOR		
	R1946	NRSA63J-222X	MG RESISTOR		
	R1947	NRSA63J-222X	MG RESISTOR		
	R3101	QRE141J-562Y	C RESISTOR	5.6K 5% 1/4W	
	R3102	QRE141J-682Y	C RESISTOR	FS-SD558V	
	R3102	QRE141J-103Y	C RESISTOR	FS-SD998V/SD778V	
	R3103	QRE141J-2R2Y	C RESISTOR	2.2 5% 1/4W	
	R3104	QRE141J-2R2Y	C RESISTOR	2.2 5% 1/4W	
	R3105	NRSA63J-223X	MG RESISTOR		
	R3106	NRSA63J-223X	MG RESISTOR		
	R3107	QRE141J-222Y	C RESISTOR	2.2K 5% 1/4W	
	R3201	QRE141J-562Y	C RESISTOR	5.6K 5% 1/4W	
	R3202	QRE141J-682Y	C RESISTOR	FS-SD558V	
	R3202	QRE141J-103Y	C RESISTOR	FS-SD998V/SD778V	
	R3203	QRE141J-2R2Y	C RESISTOR	2.2 5% 1/4W	
	R3204	QRE141J-2R2Y	C RESISTOR	2.2 5% 1/4W	
	R3205	NRSA63J-223X	MG RESISTOR		
	R3206	NRSA63J-223X	MG RESISTOR		
	R3207	QRE141J-222Y	C RESISTOR	2.2K 5% 1/4W	

△	Item	Parts number	Parts name	Remarks	Area
	R3303	QRE141J-103Y	C RESISTOR	10K 5% 1/4W	
	R3304	NRSA63J-682X	MG RESISTOR		
	R3305	NRSA63J-682X	MG RESISTOR		
	R8001	NRSA63J-102X	MG RESISTOR		
	R8002	NRSA63J-123X	MG RESISTOR		
	R8003	NRSA02J-331X	MG RESISTOR		
	R8004	NRSA63J-331X	MG RESISTOR		
	R8005	NRSA02J-561X	MG RESISTOR		
	R8007	NRSA63J-432X	MG RESISTOR		
	R8021	NRSA02J-391X	MG RESISTOR	FS-SD998V	
	R8021	NRSA02J-101X	MG RESISTOR	FS-SD778V/SD558V	
	R8022	NRSA02J-101X	MG RESISTOR	FS-SD778V/SD558V	
	R8022	NRSA02J-391X	MG RESISTOR	FS-SD998V	
	R8031	NRSA02J-561X	MG RESISTOR	FS-SD998V	
	R8031	NRSA02J-431X	MG RESISTOR	FS-SD778V/SD558V	
	R8032	NRSA02J-431X	MG RESISTOR	FS-SD778V/SD558V	
	R8032	NRSA02J-561X	MG RESISTOR	FS-SD998V	
	R8051	NRSA63J-101X	MG RESISTOR		
	R8052	NRSA63J-272X	MG RESISTOR		
	R8053	NRSA63J-332X	MG RESISTOR		
	R8054	NRSA63J-562X	MG RESISTOR		
	R8055	NRSA63J-123X	MG RESISTOR		
	R8056	NRSA63J-393X	MG RESISTOR		
	R8057	NRSA63J-101X	MG RESISTOR		
	R8058	NRSA63J-272X	MG RESISTOR		
	R8059	NRSA63J-332X	MG RESISTOR		
	R8060	NRSA63J-562X	MG RESISTOR		
	R8061	NRSA63J-123X	MG RESISTOR		
	R8062	NRSA63J-393X	MG RESISTOR		
	R8101	NRSA63J-220X	MG RESISTOR		
	R8102	NRSA63J-222X	MG RESISTOR		
	R8103	NRSA63J-272X	MG RESISTOR		
	R8201	NRSA63J-220X	MG RESISTOR		
	R8202	NRSA63J-222X	MG RESISTOR		
	R8203	NRSA63J-272X	MG RESISTOR		
	R8301	NRSA63J-222X	MG RESISTOR		
	R8302	NRSA63J-222X	MG RESISTOR		
	S8001	QSW0683-001Z	PUSH SWITCH	OP/CL	
	S8002	QSW0683-001Z	PUSH SWITCH	POWER	
	S8003	QSW0683-001Z	PUSH SWITCH	VOL+	
	S8004	QSW0683-001Z	PUSH SWITCH	VOL-	
	S8005	QSW0683-001Z	PUSH SWITCH	TIMER	
	S8006	QSW0683-001Z	PUSH SWITCH	CLOCK	
	S8007	QSW0683-001Z	PUSH SWITCH	UP	
	S8008	QSW0683-001Z	PUSH SWITCH	CD	
	S8009	QSW0683-001Z	PUSH SWITCH	STOP	
	S8010	QSW0683-001Z	PUSH SWITCH	DOWN	
	S8011	QSW0683-001Z	PUSH SWITCH	AHB	
	S8012	QSW0683-001Z	PUSH SWITCH	PRESET TU	
	S8013	QSW0683-001Z	PUSH SWITCH	TUNER	
	S8014	QSW0683-001Z	PUSH SWITCH	AUX	
	T 1	QQR1263-001	IFT		
	TU 1	QAU0097-001	FRONT END		
	W3001	QJK002-061901	SIN CR C-B WIRE	FM TU	
	W3002	QJK019-040704	SIN CR C-B WIRE	POWER - MAIN	
	W3002	QJK019-040704	SIN CR C-B WIRE	SPK - POWER	
△	W3901	QJK019-072002	SIN CR C-B WIRE	POWER - MAIN	
	W8001	QJK018-020502	SIN CR C-B WIRE	LCD BACKLIGHT -	
	W8002	QJK018-040504	SIN CR C-B WIRE	TOPKEY - FUNCTI	
	W8003	QJK018-021202	SIN CR C-B WIRE	TOPKEY - DOOR D	
	W8005	QJK018-020502	SIN CR C-B WIRE	DISC LED - MICO	
	X 1	QAX0402-001	CRYSTAL		
△	Z1901	QNG0003-001Z	FUSE CLIP	FOR F1901	
△	Z1902	QNG0003-001Z	FUSE CLIP	FOR F1901	
△	Z1903	QNG0003-001Z	FUSE CLIP	FOR F1902	
△	Z1904	QNG0003-001Z	FUSE CLIP	FOR F1902	
△	Z1905	QNG0003-001Z	FUSE CLIP	FOR F1903	
△	Z1906	QNG0003-001Z	FUSE CLIP	FOR F1903	

■ Electrical parts list (CD board)

Block No. 02

△	Item	Parts number	Parts name	Remarks	Area
	CN501	QGF1201F3-08	CONNECTOR	TO MAIN	
	CN502	QGA2001C1-04	4P PLUG ASSY	TO TOPKEY	
	CN603	QGF1004F4-16	CONNECTOR		
	CN605	QGA2001C1-06	6P PLUG ASSY		
	CN701	QGF1201F3-09	CONNECTOR	TO AMP/TUNER	
	CN702	QGF1016F3-21	CONNECTOR	TO AMP/TUNER	
	CN703	QGA2001F1-13	CONNECTOR	TO FUNCTION	
	CN704	QGB1216J1-14S	CONNECTOR	TO LCD	
	CN705	QGA2001F1-03	CONNECTOR	TO CD DOOR DT1	
	CN706	QGA2001F1-02	CONNECTOR	TO DISC LED	
	CN711	QGF1016F3-15	CONNECTOR	TO MP3 PWB	
	CN712	QGF1016F3-15	CONNECTOR	TO MP3 PWB	
	CN804	QGA2001F1-02	CONNECTOR		
	C5101	QETN1HM-475Z	E CAPACITOR	4.7MF 20% 50V	
	C5102	QETN1HM-475Z	E CAPACITOR	4.7MF 20% 50V	
	C5103	QTE1V06-106Z	E CAPACITOR		
	C5104	QTE1V06-106Z	E CAPACITOR		
	C5105	QETN1CM-106Z	E CAPACITOR	10MF 20% 16V	
	C5106	QFN31HJ-562Z	M CAPACITOR	5600PF 5% 50V	
	C5107	QTE1C06-226Z	E CAPACITOR		
	C5108	QFN31HJ-332Z	M CAPACITOR	3300PF 5% 50V	
	C5109	QFVJ1HJ-154Z	MF CAPACITOR	.15MF 5% 50V	
	C5110	QFVJ1HJ-154Z	MF CAPACITOR	.15MF 5% 50V	
	C5111	NDC31HJ-151X	C CAPACITOR		
	C5112	NCB31HK-102X	C CAPACITOR		
	C5201	QETN1HM-475Z	E CAPACITOR	4.7MF 20% 50V	
	C5202	QETN1HM-475Z	E CAPACITOR	4.7MF 20% 50V	
	C5203	QTE1V06-106Z	E CAPACITOR		
	C5204	QTE1V06-106Z	E CAPACITOR		
	C5205	QETN1CM-106Z	E CAPACITOR	10MF 20% 16V	
	C5206	QFN31HJ-562Z	M CAPACITOR	5600PF 5% 50V	
	C5207	QTE1C06-226Z	E CAPACITOR		
	C5208	QFN31HJ-332Z	M CAPACITOR	3300PF 5% 50V	
	C5209	QFVJ1HJ-154Z	MF CAPACITOR	.15MF 5% 50V	
	C5210	QFVJ1HJ-154Z	MF CAPACITOR	.15MF 5% 50V	
	C5211	NDC31HJ-151X	C CAPACITOR		
	C5212	NCB31HK-102X	C CAPACITOR		
	C5301	QETN1CM-107Z	E CAPACITOR	100MF 20% 16V	
	C5302	QTE1V06-476Z	E CAPACITOR		
	C5303	QETN1HM-105Z	E CAPACITOR	1.0MF 20% 50V	
	C5304	QETN1AM-477Z	E CAPACITOR	470MF 20% 10V	
	C5305	NDC31HJ-680X	C CAPACITOR		
	C5307	NCB31HK-103X	C CAPACITOR		
	C5308	NCB31HK-103X	C CAPACITOR		
	C5311	NDC31HJ-151X	C CAPACITOR		
	C5312	NDC31HJ-151X	C CAPACITOR		
	C6001	QEKC0JM-107Z	E CAPACITOR	100MF 20% 6.3V	
	C6002	QEKC1CM-106Z	E CAPACITOR	10MF 20% 16V	
	C6005	NDC31HJ-331X	C CAPACITOR		
	C6006	NCB31HK-222X	C CAPACITOR		
	C6007	NCB31HK-222X	C CAPACITOR		
	C6008	QEKC1HM-105Z	E CAPACITOR	1.0MF 20% 50V	
	C6009	NCB31CK-104X	C CAPACITOR		
	C6010	NCB31CK-273X	C CAPACITOR		
	C6011	NCB31HK-222X	C CAPACITOR		
	C6012	NCB31HK-103X	C CAPACITOR		
	C6014	NCB21CK-224X	C CAPACITOR		
	C6015	NCB31HK-223X	C CAPACITOR		
	C6016	NCB31HK-223X	C CAPACITOR		
	C6017	NCB31HK-223X	C CAPACITOR		
	C6018	NCB31HK-222X	C CAPACITOR		
	C6019	NDC31HJ-471X	C CAPACITOR		
	C6020	NDC31HJ-331X	C CAPACITOR		

△	Item	Parts number	Parts name	Remarks	Area
	C6021	NCB31HK-152X	C CAPACITOR		
	C6022	QEKC0JM-476Z	E CAPACITOR	47MF 20% 6.3V	
	C6023	NCB31CK-273X	C CAPACITOR		
	C6028	NCB31CK-473X	C CAPACITOR		
	C6029	QEKC0JM-107Z	E CAPACITOR	100MF 20% 6.3V	
	C6031	QEKC1AM-227Z	E CAPACITOR	220MF 20% 10V	
	C6032	QEKC0JM-107Z	E CAPACITOR	100MF 20% 6.3V	
	C6033	QEKC1CM-106Z	E CAPACITOR	10MF 20% 16V	
	C6034	QFN31HJ-103Z	M CAPACITOR	.010MF 5% 50V	
	C6051	NDC31HJ-120X	C CAPACITOR		
	C6052	NDC31HJ-150X	C CAPACITOR		
	C6053	NCB31HK-223X	C CAPACITOR		
	C6055	NCB31CK-473X	C CAPACITOR		
	C6058	NDC31HJ-680X	C CAPACITOR		
	C6061	NDC31HJ-471X	C CAPACITOR		
	C6062	NCB21CK-474X	C CAPACITOR		
	C6063	NCB31HK-223X	C CAPACITOR		
	C6064	NCB31HK-223X	C CAPACITOR		
	C6065	NCB21CK-154X	C CAPACITOR		
	C6071	NCS31HJ-471X	C CAPACITOR		
	C6072	NCS31HJ-471X	C CAPACITOR		
	C6073	QTE1A15-227Z	E CAPACITOR		
	C6076	NCB31HK-102X	C CAPACITOR		
	C6080	QEKC1AM-227Z	E CAPACITOR	220MF 20% 10V	
	C6081	QEKC1AM-227Z	E CAPACITOR	220MF 20% 10V	
	C6083	NCB31HK-223X	C CAPACITOR		
	C6089	NCB31HK-472X	C CAPACITOR		
	C6090	NCB31HK-682X	C CAPACITOR		
	C6091	QENC1HM-105Z	NP E CAPACITOR	1.0MF 20% 50V	
	C6094	NCB31CK-104X	C CAPACITOR		
	C6096	NDC31HJ-391X	C CAPACITOR		
	C6097	NDC31HJ-391X	C CAPACITOR		
	C6098	NDC31HJ-391X	C CAPACITOR		
	C6099	NDC31HJ-391X	C CAPACITOR		
	C6154	NDC31HJ-101X	C CAPACITOR		
	C6156	NDC31HJ-151X	C CAPACITOR		
	C6157	NDC31HJ-151X	C CAPACITOR		
	C6158	NDC31HJ-151X	C CAPACITOR		
	C6159	NCB31CK-104X	C CAPACITOR		
	C6199	QCZ0202-155Z	ML C CAPACITOR	1.5MF	
	C6201	NDC31HJ-680X	C CAPACITOR		
	C6251	NCB31CK-104X	C CAPACITOR		
	C6253	NCB21CK-334X	C CAPACITOR		
	C6301	NCB31HK-223X	C CAPACITOR		
	C7001	NDC31HJ-180X	C CAPACITOR		
	C7002	NDC31HJ-180X	C CAPACITOR		
	C7003	NDC31HJ-390X	C CAPACITOR		
	C7004	NCS21HJ-360X	C CAPACITOR		
	C7005	NDC31HJ-220X	C CAPACITOR		
	C7006	NCS21HJ-200X	C CAPACITOR		
	C7007	NCB31HK-102X	C CAPACITOR		
	C7008	NCB31HK-102X	C CAPACITOR		
	C7009	NCB31HK-103X	C CAPACITOR		
	C7010	QEKC1AM-107Z	E CAPACITOR	100MF 20% 10V	
	C7011	NCB31CK-104X	C CAPACITOR		
	C7012	QEZ0229-479Z	E CAPACITOR	47000MF	
	C7013	QEKC1CM-107Z	E CAPACITOR	100MF 20% 16V	
	C7014	QFN31HJ-104Z	M CAPACITOR	.10MF 5% 50V	
	C7018	NCB31HK-103X	C CAPACITOR		
	C7019	QEKC1HM-225Z	E CAPACITOR	2.2MF 20% 50V	
	C7020	QEKC1HM-475Z	E CAPACITOR	4.7MF 20% 50V	
	C7022	NCB31HK-103X	C CAPACITOR		
	C7201	NDC31HJ-101X	C CAPACITOR		

■ Electrical parts list (CD board)

Block No. 02

△	Item	Parts number	Parts name	Remarks	Area
	C7203	NCB31HK-103X	C CAPACITOR		
	C7241	NDC31HJ-330X	C CAPACITOR		
	C7242	NDC31HJ-330X	C CAPACITOR		
	C7251	QEK1AM-107Z	E CAPACITOR	100MF 20% 10V	
	C7252	NCB31HK-103X	C CAPACITOR		
	D5301	MTZJ6.8C-T2	Z DIODE	V.OUT	
	D5302	1SS133-T2	SI DIODE	L/O MUTE.D	
	D6001	1SS355-X	DIODE		
	D6031	MTZJ5.6C-T2	ZENER DIODE		
	D6032	DSK10C-T1	DIODE		
	D6033	DSK10C-T1	DIODE		
	D6061	1SS355-X	DIODE		
	D6062	1SS355-X	DIODE		
	D6063	1SS355-X	DIODE		
	D6500	MTZJ8.2B-T2	DIODE		
	D7001	1SS355-X	DIODE		
	D7002	1SS355-X	DIODE		
	D7003	1SS133-T2	SI DIODE		
	D7004	1SS133-T2	SI DIODE		
	D7005	1SS133-T2	SI DIODE		
	D7006	1SS355-X	DIODE		
	D7007	MTZJ5.1C-T2	ZENER DIODE		
	D7008	1SS133-T2	SI DIODE		
	D7009	MTZJ8.2B-T2	DIODE		
	D7201	1SS133-T2	SI DIODE		
	IC501	BD3861FS-X	IC	FUNC/VOL	
	IC601	AN22000A-W	IC		
	IC602	LA6541-X	IC		
	IC603	MN662748RPMFA	IC		
	IC701	UPD780024AGKB45	IC	MASK	
	IC702	KIA78S06P-T	IC		
	IC711	MN101C30AJP	IC	MASK	
	J5301	QNS0047-001	JACK	LINE IN	
	J5302	QNS0047-001	JACK	LINE OUT	
	J5303	QNN0017-002	PIN JACK	VIDEOOUT	
	J6001	GP1FA550TZ	OPT TRANSMITTER		
	K5101	NQR0007-002X	FERRITE BEADS		
	K5102	NQR0007-002X	FERRITE BEADS		
	K5201	NQR0007-002X	FERRITE BEADS		
	K5202	NQR0007-002X	FERRITE BEADS		
	K5301	QQR1183-001Z	FERRITE BEADS	CDAG	
	K5303	QQR1183-001Z	FERRITE BEADS	AUX IN	
	K5304	QQR1183-001Z	FERRITE BEADS	AUX OUT	
	K5305	NQR0007-002X	FERRITE BEADS		
	K5306	NQR0007-002X	FERRITE BEADS		
	K5307	NQR0007-002X	FERRITE BEADS		
	K5308	NQR0007-002X	FERRITE BEADS		
	K5311	NQR0007-002X	FERRITE BEADS		
	K5312	NQR0007-002X	FERRITE BEADS		
	K5313	NQR0007-002X	FERRITE BEADS		
	K5314	NQR0007-002X	FERRITE BEADS		
	K6051	QQR1183-001Z	FERRITE BEADS		
	K7001	QQR1183-001Z	FERRITE BEADS		
	K7201	QQR1183-001Z	FERRITE BEADS		
	K7301	NQR0007-002X	FERRITE BEADS		
	LF501	QQR0797-002	INDUCTOR	V.OUT	
	LF511	QQR0590-001	FILTER	MPX.F	
	LF521	QQR0590-001	FILTER	MPX.F	
	L7001	QLL244K-100Z	INDUCTOR		
	L7002	QLL244K-100Z	INDUCTOR		
	L7201	QLL244K-100Z	INDUCTOR		
	Q5101	2SD2114K/VW/-X	CHIP TRANSISTOR	L/O MUTE	
	Q5201	2SD2114K/VW/-X	CHIP TRANSISTOR	L/O MUTE	

△	Item	Parts number	Parts name	Remarks	Area
	Q5301	DTA114EKA-X	DIGI TRANSISTOR	L/O MUTE.D	
	Q6001	2SA1037AK/R/-X	TRANSISTOR		
	Q6031	2SC2060/QR/-T	TRANSISTOR		
	Q6500	DTD123TK-X	DIGI TRANSISTOR		
	Q7001	2SC2814/4-5/-X	TRANSISTOR		
	Q7002	2SC2814/4-5/-X	TRANSISTOR		
	Q7003	DTA114TKA-X	DIGI TRANSISTOR		
	Q7004	2SC2412K/R/-X	TRANSISTOR		
	Q7005	DTC114EKA-X	TRANSISTOR	SHUNTEI	
	Q7006	2SC2412K/R/-X	TRANSISTOR		
	Q7007	DTC114EKA-X	TRANSISTOR		
	Q7008	DTA114EKA-X	DIGI TRANSISTOR		
	Q7201	DTC114EKA-X	TRANSISTOR		
	Q7202	DTA114EKA-X	DIGI TRANSISTOR		
	R5101	NRSA63J-223X	MG RESISTOR		
	R5102	NRSA63J-683X	MG RESISTOR		
	R5105	NRSA63J-473X	MG RESISTOR		
	R5106	NRSA63J-392X	MG RESISTOR		
	R5107	NRSA63J-102X	MG RESISTOR		
	R5108	NRSA63J-222X	MG RESISTOR		
	R5110	NRSA63J-332X	MG RESISTOR		
	R5111	NRSA63J-122X	MG RESISTOR		
	R5112	NRSA63J-562X	MG RESISTOR		
	R5201	NRSA63J-223X	MG RESISTOR		
	R5202	NRSA63J-683X	MG RESISTOR		
	R5205	NRSA63J-473X	MG RESISTOR		
	R5206	NRSA63J-392X	MG RESISTOR		
	R5207	NRSA63J-102X	MG RESISTOR		
	R5208	NRSA63J-222X	MG RESISTOR		
	R5210	NRSA63J-332X	MG RESISTOR		
	R5211	NRSA63J-122X	MG RESISTOR		
	R5212	NRSA63J-562X	MG RESISTOR		
	R5301	NRSA63J-223X	MG RESISTOR		
	R5302	NRSA63J-104X	MG RESISTOR		
	R5305	NRSA63J-1R5X	MG RESISTOR		
	R5309	NRSA63J-0R0X	MG RESISTOR		
	R6001	NRSA63J-682X	MG RESISTOR		
	R6005	NRSA63J-184X	MG RESISTOR		
	R6006	NRSA63J-274X	MG RESISTOR		
	R6007	NRSA63J-393X	MG RESISTOR		
	R6008	NRSA63J-394X	MG RESISTOR		
	R6009	NRSA63J-473X	MG RESISTOR		
	R6010	NRSA63J-154X	MG RESISTOR		
	R6012	NRSA63J-822X	MG RESISTOR		
	R6013	NRSA63J-121X	MG RESISTOR		
	R6014	NRSA63J-100X	MG RESISTOR		
	R6015	NRSA63J-120X	MG RESISTOR		
	R6016	NRSA63J-910X	MG RESISTOR		
	R6021	NRSA63J-330X	MG RESISTOR		
	R6024	NRSA63J-103X	MG RESISTOR		
	R6025	NRSA63J-103X	MG RESISTOR		
	R6026	NRSA63J-222X	MG RESISTOR		
	R6028	NRSA63J-222X	MG RESISTOR		
	R6031	NRSA63J-102X	MG RESISTOR		
	R6032	NRSA63J-102X	MG RESISTOR		
	R6033	NRSA63J-102X	MG RESISTOR		
	R6040	NRSA63J-102X	MG RESISTOR		
	R6041	NRSA63J-184X	MG RESISTOR		
	R6042	NRSA63J-472X	MG RESISTOR		
	R6043	NRSA63J-912X	MG RESISTOR		
	R6044	NRSA63J-393X	MG RESISTOR		
	R6045	NRSA63J-433X	MG RESISTOR		
	R6046	NRSA63J-392X	MG RESISTOR		

■ Electrical parts list (CD board)

Block No. 02

△	Item	Parts number	Parts name	Remarks	Area
	R6047	NRSA63J-472X	MG RESISTOR		
	R6048	NRSA63J-272X	MG RESISTOR		
	R6050	NRSA63J-332X	MG RESISTOR		
	R6051	NRSA63J-102X	MG RESISTOR		
	R6052	NRSA63J-102X	MG RESISTOR		
	R6053	NRSA63J-101X	MG RESISTOR		
	R6054	NRSA63J-102X	MG RESISTOR		
	R6056	NRSA63J-101X	MG RESISTOR		
	R6057	NRSA63J-101X	MG RESISTOR		
	R6058	NRSA63J-101X	MG RESISTOR		
	R6059	NRSA63J-471X	MG RESISTOR		
	R6060	NRSA63J-471X	MG RESISTOR		
	R6061	NRSA63J-104X	MG RESISTOR		
	R6063	NRSA63J-124X	MG RESISTOR		
	R6064	NRSA63J-331X	MG RESISTOR		
	R6066	NRSA63J-470X	MG RESISTOR		
	R6067	NRSA63J-220X	MG RESISTOR		
	R6068	NRSA63J-220X	MG RESISTOR		
	R6069	NRSA63J-155X	MG RESISTOR		
	R6071	QRE141J-472Y	C RESISTOR	4.7K 5% 1/4W	
	R6072	QRE141J-472Y	C RESISTOR	4.7K 5% 1/4W	
	R6075	NRSA63J-0R0X	MG RESISTOR		
	R6171	NRSA63J-0R0X	MG RESISTOR		
	R6201	NRSA63J-472X	MG RESISTOR		
	R6202	NRSA63J-222X	MG RESISTOR		
	R6203	NRSA63J-0R0X	MG RESISTOR		
	R6204	NRSA63J-623X	MG RESISTOR		
	R6205	NRSA63J-393X	MG RESISTOR		
	R6251	NRSA63J-102X	MG RESISTOR		
	R6252	NRSA63J-105X	MG RESISTOR		
	R6254	NRSA63J-104X	MG RESISTOR		
	R6256	NRSA63J-564X	MG RESISTOR		
	R6257	NRSA63J-0R0X	MG RESISTOR		
	R6258	NRSA63J-272X	MG RESISTOR		
	R6271	NRSA63J-0R0X	MG RESISTOR		
	R6304	NRSA63J-0R0X	MG RESISTOR		
	R6305	NRSA63J-102X	MG RESISTOR		
	R6306	NRSA63J-472X	MG RESISTOR		
	R6310	NRSA63J-101X	MG RESISTOR		
	R6311	NRSA63J-101X	MG RESISTOR		
	R6312	NRSA63J-101X	MG RESISTOR		
	R6313	NRSA63J-102X	MG RESISTOR		
	R6314	NRSA63J-102X	MG RESISTOR		
	R6315	NRSA63J-102X	MG RESISTOR		
	R6316	NRSA63J-102X	MG RESISTOR		
	R6500	NRSA63J-272X	MG RESISTOR		
	R7001	NRSA63J-822X	MG RESISTOR		
	R7002	NRSA63J-822X	MG RESISTOR		
	R7003	NRSA63J-103X	MG RESISTOR		
	R7004	NRSA63J-103X	MG RESISTOR		
	R7005	NRSA63J-331X	MG RESISTOR		
	R7038	NRSA63J-103X	MG RESISTOR		
	R7040	NRSA63J-102X	MG RESISTOR		
	R7041	NRSA63J-103X	MG RESISTOR		
	R7042	NRSA63J-103X	MG RESISTOR		
	R7043	NRSA63J-103X	MG RESISTOR		
	R7044	NRSA63J-103X	MG RESISTOR		
	R7045	NRSA63J-222X	MG RESISTOR		
	R7046	NRSA63J-222X	MG RESISTOR		
	R7048	NRSA63J-102X	MG RESISTOR		
	R7049	NRSA63J-102X	MG RESISTOR		
	R7050	NRSA63J-104X	MG RESISTOR		
	R7051	NRSA63J-473X	MG RESISTOR		

△	Item	Parts number	Parts name	Remarks	Area
	R7052	NRSA63J-333X	MG RESISTOR		
	R7053	NRSA63J-222X	MG RESISTOR		
	R7074	NRSA63J-103X	MG RESISTOR		
	R7076	NRSA63J-153X	MG RESISTOR		
	R7077	NRSA63J-123X	MG RESISTOR		
	R7101	NRSA63J-102X	MG RESISTOR		
	R7102	NRSA63J-222X	MG RESISTOR		
	R7103	NRSA63J-222X	MG RESISTOR		
	R7104	NRSA63J-102X	MG RESISTOR		
	R7105	NRSA63J-222X	MG RESISTOR		
	R7106	NRSA63J-222X	MG RESISTOR		
	R7107	NRSA63J-222X	MG RESISTOR		
	R7108	NRSA63J-222X	MG RESISTOR		
	R7109	NRSA63J-222X	MG RESISTOR		
	R7110	NRSA63J-222X	MG RESISTOR		
	R7111	NRSA63J-222X	MG RESISTOR		
	R7112	NRSA63J-222X	MG RESISTOR		
	R7113	NRSA63J-103X	MG RESISTOR		
	R7114	NRSA63J-0R0X	MG RESISTOR		
	R7115	NRSA63J-102X	MG RESISTOR		
	R7116	NRSA63J-222X	MG RESISTOR		
	R7120	NRSA63J-102X	MG RESISTOR		
	R7121	NRSA63J-222X	MG RESISTOR		
	R7122	NRSA63J-222X	MG RESISTOR		
	R7123	NRSA63J-222X	MG RESISTOR		
	R7124	NRSA63J-222X	MG RESISTOR		
	R7125	NRSA63J-222X	MG RESISTOR		
	R7126	NRSA63J-103X	MG RESISTOR		
	R7127	NRSA63J-222X	MG RESISTOR		
	R7128	NRSA63J-103X	MG RESISTOR		
	R7129	NRSA63J-222X	MG RESISTOR		
	R7130	NRSA63J-103X	MG RESISTOR		
	R7131	NRSA63J-102X	MG RESISTOR		
	R7132	NRSA63J-103X	MG RESISTOR		
	R7133	NRSA63J-103X	MG RESISTOR		
	R7134	NRSA63J-222X	MG RESISTOR		
	R7135	NRSA63J-222X	MG RESISTOR		
	R7136	NRSA63J-102X	MG RESISTOR		
	R7137	NRSA63J-103X	MG RESISTOR		
	R7138	NRSA63J-103X	MG RESISTOR		
	R7139	NRSA63J-103X	MG RESISTOR		
	R7140	NRSA63J-103X	MG RESISTOR		
	R7141	NRSA63J-222X	MG RESISTOR		
	R7142	NRSA63J-222X	MG RESISTOR		
	R7143	NRSA63J-471X	MG RESISTOR		
	R7144	NRSA63J-222X	MG RESISTOR		
	R7145	NRSA63J-222X	MG RESISTOR		
	R7146	NRSA63J-222X	MG RESISTOR		
	R7147	NRSA63J-222X	MG RESISTOR		
	R7151	NRSA63J-222X	MG RESISTOR		
	R7152	NRSA63J-222X	MG RESISTOR		
	R7201	NRSA63J-102X	MG RESISTOR		
	R7202	NRSA63J-101X	MG RESISTOR		
	R7203	NRSA63J-222X	MG RESISTOR		
	R7204	NRSA63J-102X	MG RESISTOR		
	R7205	NRSA63J-101X	MG RESISTOR		
	R7206	NRSA63J-101X	MG RESISTOR		
	R7207	NRSA63J-101X	MG RESISTOR		
	R7208	NRSA63J-102X	MG RESISTOR		
	R7209	NRSA63J-473X	MG RESISTOR		
	R7210	NRSA63J-101X	MG RESISTOR		
	R7211	NRSA63J-101X	MG RESISTOR		
	R7212	NRSA63J-101X	MG RESISTOR		

■ Electrical parts list (CD board)

Block No. 02

△	Item	Parts number	Parts name	Remarks	Area
	R7213	NRSA63J-103X	MG RESISTOR		
	R7214	NRSA63J-102X	MG RESISTOR		
	R7215	NRSA63J-102X	MG RESISTOR		
	R7216	NRSA63J-102X	MG RESISTOR		
	R7217	NRSA63J-102X	MG RESISTOR		
	R7218	NRSA63J-102X	MG RESISTOR		
	R7219	NRSA63J-102X	MG RESISTOR		
	R7220	NRSA63J-102X	MG RESISTOR		
	R7221	NRSA63J-102X	MG RESISTOR		
	R7222	NRSA63J-102X	MG RESISTOR		
	R7223	NRSA63J-102X	MG RESISTOR		
	R7224	NRSA63J-103X	MG RESISTOR		
	R7225	NRSA63J-102X	MG RESISTOR		
	R7226	NRSA63J-102X	MG RESISTOR		
	R7227	NRSA63J-102X	MG RESISTOR		
	R7228	NRSA63J-102X	MG RESISTOR		
	R7251	NRSA63J-223X	MG RESISTOR		
	R7301	NRSA63J-0R0X	MG RESISTOR		
	R7303	NRSA63J-0R0X	MG RESISTOR		
	R7305	NRSA63J-0R0X	MG RESISTOR		
	R7310	NRSA63J-103X	MG RESISTOR		
	R7311	NRSA63J-103X	MG RESISTOR		
	R7312	NRSA63J-103X	MG RESISTOR		
	S8021	QSW0851-001	DETECT SWITCH		
	S8022	QSW0851-001	DETECT SWITCH		
	TH701	QAD0015-103Z	THERMISTOR		
	W5001	QJK018-130503	SIN CR C-B WIRE	FUNCTION - MICO	
	W8004	QJK018-030503	SIN CR C-B WIRE	DOOR DT1 - MICO	
	X6051	QAX0413-001Z	CRYSTAL		
	X7001	QAX0401-001	CRYSTAL		
	X7002	QAX0410-001	CERA LOCK		
	X7201	QAX0283-001Z	C RESONATOR		

■ Electrical parts list (VCD board)

Block No. 03

△	Item	Parts number	Parts name	Remarks	Area
	C 101	NCF31CZ-104X	C CAPACITOR		
	C 102	NCF31CZ-104X	C CAPACITOR		
	C 103	NCF31CZ-104X	C CAPACITOR		
	C 104	QERF1CM-106Z	E CAPACITOR	10MF 20% 16V	
	C 105	NCF31CZ-104X	C CAPACITOR		
	C 106	QERF1CM-106Z	E CAPACITOR	10MF 20% 16V	
	C 107	NCF31CZ-104X	C CAPACITOR		
	C 109	NCF31CZ-104X	C CAPACITOR		
	C 110	NCF31CZ-104X	C CAPACITOR		
	C 111	NCS31HJ-471X	C CAPACITOR		
	C 112	NCS31HJ-471X	C CAPACITOR		
	C 113	NCS31HJ-270X	C CAPACITOR		
	C 114	NCB31HK-102X	C CAPACITOR		
	C 115	NCS31HJ-270X	C CAPACITOR		
	C 116	NCF31CZ-104X	C CAPACITOR		
	C 117	QERF0JM-476Z	E CAPACITOR	47MF 20% 6.3V	
	C 118	NCF31CZ-104X	C CAPACITOR		
	C 120	NCF31CZ-104X	C CAPACITOR		
	C 121	NCF31CZ-104X	C CAPACITOR		
	C 122	QERF1AM-107Z	E CAPACITOR	100MF 20% 10V	
	C 123	QERF0JM-476Z	E CAPACITOR	47MF 20% 6.3V	
	C 124	NCF31CZ-104X	C CAPACITOR		
	C 125	NCF31CZ-104X	C CAPACITOR		
	C 126	NCF31CZ-104X	C CAPACITOR		
	C 127	NCF31CZ-104X	C CAPACITOR		
	C 128	NCF31CZ-104X	C CAPACITOR		
	C 129	NCF31CZ-104X	C CAPACITOR		
	C 130	QERF1AM-107Z	E CAPACITOR	100MF 20% 10V	
	C 131	NCF31CZ-104X	C CAPACITOR		
	C 132	QERF1AM-107Z	E CAPACITOR	100MF 20% 10V	
	C 133	NCF31CZ-104X	C CAPACITOR		
	C 134	QERF1CM-106Z	E CAPACITOR	10MF 20% 16V	
	C 135	QERF0JM-476Z	E CAPACITOR	47MF 20% 6.3V	
	C 136	NCF31CZ-104X	C CAPACITOR		
	C 137	NCB31CK-103X	C CAPACITOR		
	C 138	QERF1AM-107Z	E CAPACITOR	100MF 20% 10V	
	CN101	QGF1016F3-15	CONNECTOR		
	CN102	QGF1016F3-15	CONNECTOR		
	IC101	ES3880F	IC	INC TECHNOLOGY	
	IC102	AT27C020-70JCU2	IC	INC TECHNOLOGY	
	IC103	GLT44016-35J4-X	IC	SAME PARTS	
	IC104	ES3883F	IC	INC TECHNOLOGY	
	IC105	RT9161/A-36CG-X	IC	INC TECHNOLOGY	
	K 101	NRSA02J-100X	MG RESISTOR	AOBA	
	K 102	NCB21HK-103X	C CAPACITOR		
	K 103	NRSA02J-180X	MG RESISTOR		
	K 104	NRSA02J-102X	MG RESISTOR		
	L 101	NQL591K-3R3X	P COIL	NOT YET REGISTE	
	L 102	NQL591K-3R3X	P COIL	NOT YET REGISTE	
	R 101	NRSA63J-472X	MG RESISTOR		
	R 102	NRSA63J-472X	MG RESISTOR		
	R 103	NRSA63J-472X	MG RESISTOR		
	R 104	NRSA63J-472X	MG RESISTOR		
	R 105	NRSA63J-472X	MG RESISTOR		
	R 106	NRSA63J-472X	MG RESISTOR		
	R 107	NRSA63J-472X	MG RESISTOR		
	R 108	NRSA63J-472X	MG RESISTOR		
	R 109	NRSA63J-102X	MG RESISTOR		
	R 111	NRSA63J-472X	MG RESISTOR		
	R 112	NRSA63J-472X	MG RESISTOR		
	R 113	NRSA63J-472X	MG RESISTOR		
	R 119	NRSA63J-0R0X	MG RESISTOR		
	R 120	NRSA63J-750X	MG RESISTOR		

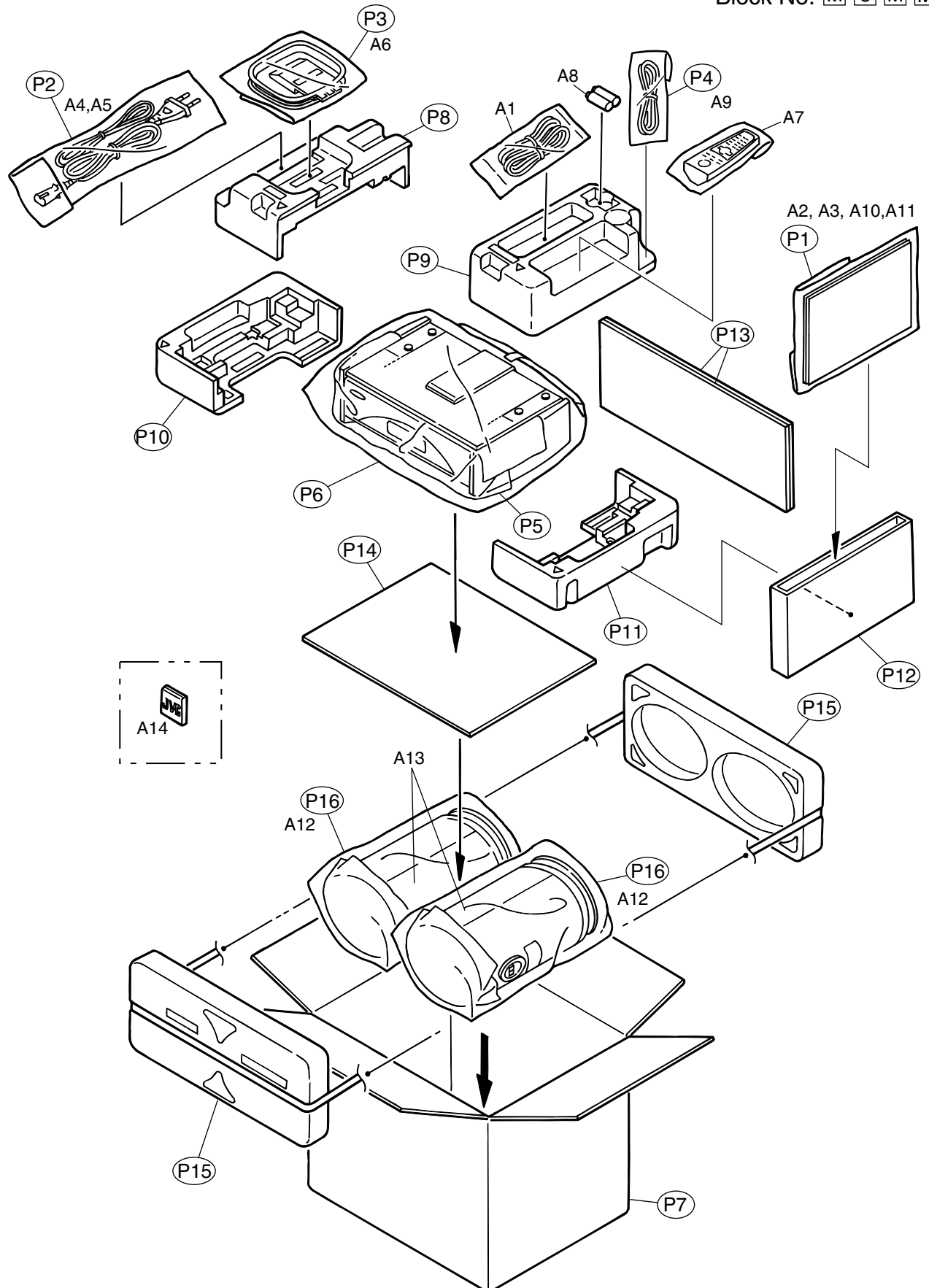
△	Item	Parts number	Parts name	Remarks	Area
	R 121	NRSA63J-104X	MG RESISTOR		
	R 128	NRSA63J-330X	MG RESISTOR		
	R 130	NRSA63J-330X	MG RESISTOR		
	R 132	NRSA63J-271X	MG RESISTOR		
	R 133	NRSA63J-750X	MG RESISTOR		
	R 134	NRSA63J-750X	MG RESISTOR		
	R 135	NRSA63J-100X	MG RESISTOR		
	R 136	NRSA63J-100X	MG RESISTOR		
	R 137	NRSA63J-472X	MG RESISTOR		
	R 138	NRSA63J-472X	MG RESISTOR		
	R 139	NRSA63J-330X	MG RESISTOR		
	R 140	NRSA63J-472X	MG RESISTOR		
	R 145	NRSA63J-221X	MG RESISTOR		
	R 146	NRSA63J-221X	MG RESISTOR		
	R 147	NRSA63J-221X	MG RESISTOR		
	R 148	NRSA63J-102X	MG RESISTOR		
	X 101	QAX0700-001Z	CRYSTAL	IKA TECH	

Packing materials and accessories parts list

FS-SD998V/FS-SD778V

Block No. **M 3 M M**

Block No. **M 5 M M**



Packing materials and accessories parts list

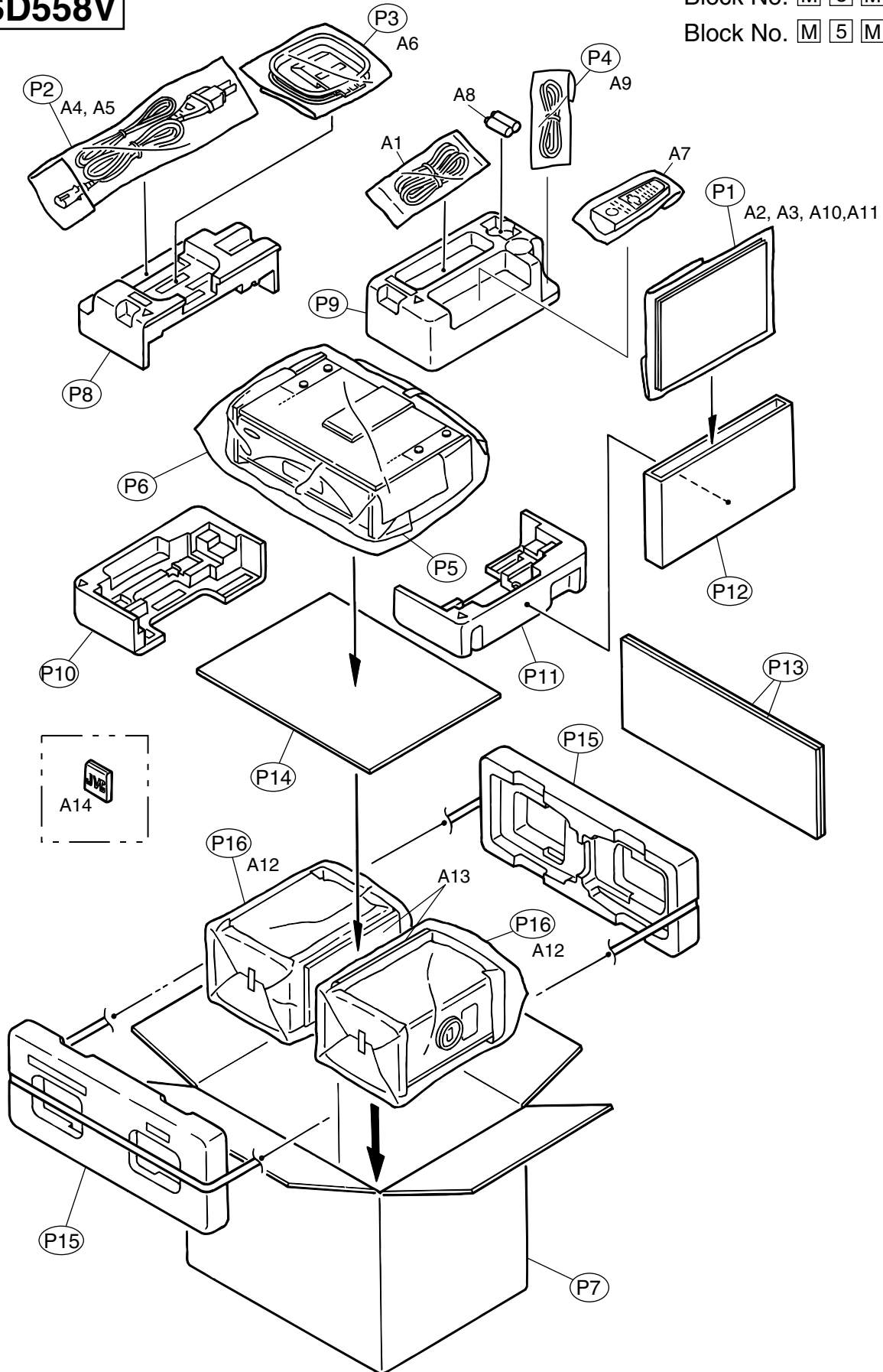
FS-SD558V

Block No.

M	3	M	M
---	---	---	---

Block No.

M	5	M	M
---	---	---	---



■ Parts list (Packing)

Block No. M3MM

△	Item	Parts number	Parts name	Q'ty	Description	Area
	P 1	QPA02503503P	POLY BAG	1	FOR INST	
	P 2	QPA01503503	POLY BAG	1	FOR P.CORD	
	P 3	QPA01702503P	POLY BAG	1	FOR AM ANT	
	P 4	QPA01202505	POLY BAG	1	FOR SIGNAL CORD	
	P 5	QPF02604415	SHEET	1		
	P 6	QPC04504515P	POLY BAG	1	FOR SET	
	P 7	LV33101-002A	CARTON	1	FS-SD558V	
		LV33102-002A	CARTON	1	FS-SD778V	
		LV33103-002A	CARTON	1	FS-SD998V	
	P 8	LV20760-001A	CUSHION TOP(L)	1	TOP (L)	
	P 9	LV20760-002A	CUSHION TOP(R)	1	TOP (R)	
	P 10	LV20761-001A	CUSHION BTM (L)	1	BOTTOM (L)	
	P 11	LV20761-002A	CUSHION BTM (R)	1	BOTTOM (R)	
	P 12	GN30016-002A	PACKING SPACER	1	FS-SD558V	
		GN30016-003A	PACKING SPACER	1	FS-SD998V/SD778V	
	P 13	GN30033-001A	PACKING SPACER	2	FS-SD998V/SD778V	
		GN30015-001A	PACKING SPACER	2	FS-SD558V	
	P 14	GN30032-001A	CARTON SPACER	1		
	P 15	LV32600-001A	PACKING PAD	2	FS-SD558V	
		LV32601-001A	PACKING PAD	2	FS-SD998V/SD778V	
	P 16	D77-KO-00-01	POLY BAG	2	FS-SD998V/SD778V	
		D55-KO-00-01	POLY BAG	2	FS-SD558V	

■ Parts list (Accessories)

Block No. M5MM

△	Item	Parts number	Parts name	Q'ty	Description	Area
	A 1	QAM0293-001	SPK.CORD(2PCS)	1	SPEAKER CORD OF	
	A 2	LVT0764-002B	INST BOOK	1	CHI	
	A 3	LVT0764-003A	INST BOOK	1	CHI	
△	A 4	QMPS160-183-JC	POWER CORD	1		
	A 5	EWP503-001C	ANT.WIRE	1	FM ANT	
	A 6	QAL0014-001	AM LOOP ANT	1	AM ANT	
	A 7	RM-SFSSD78V	REMOCON UNIT	1	FS-SD778V/SD558V	
		RM-SFSSD98V	REMOCON UNIT	1	FS-SD998V	
	A 8	-----	BATTERY	2	FOR REMOCON	
	A 9	EWP304-014W	SIGNAL CORD	1	FOR VIDEO OUT	
	A 10	BT-59007-2	WARRANTY CARD	1		
	A 11	BT-59009-1	SVC CENTER LIST	1		
	A 12	FSSD558K-SPBOX	SPEAKER BOX	2	FS-SD558V	
		FSSD778K-SPBOX	SPEAKER BOX	2	FS-SD778V	
		FSSD998K-SPBOX	SPEAKER BOX	2	FS-SD998V	
	A 13	LV10498-003A	SARAN BOARD	2	FS-SD778V	
		LV10498-004A	SARAN BOARD	2	FS-SD998V	
		LV10497-002A	SARAN BOARD	2	FS-SD558V	
	A 14	LV41578-004A	JVC MARK	2	FS-SD998V	
		LV41578-003A	JVC MARK	2	FS-SD778V/SD558V	